

Specification Status: RELEASED

Electrical Rating

Voltage: 72V MAX
Current: 40A MAX

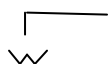
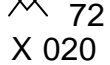

Insulating Material:

Cured, Flame Retarded Epoxy Polymer
 meets UL94 V-0 Requirements

Lead Material:

24 AWG Tin Lead Plated Copper Clad Steel

Marking:

-  Raychem Logo and Voltage
-  Part Identification
-  Lot Identification (can be on back)

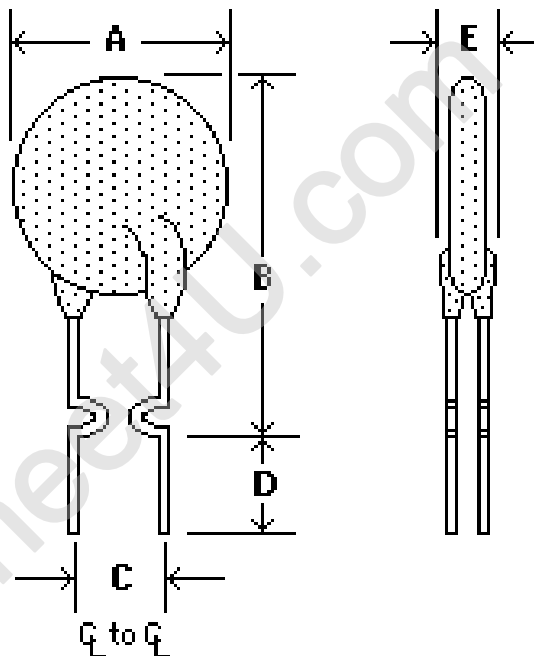


TABLE I. DIMENSIONS:

	A		B		C		D		E	
	MIN	MAX	MIN	MAX	MIN	MAX	MIN	MAX	MIN	MAX
mm:	--	7.4	--	11.7	4.3	5.8	7.6	--	--	3.0
in*:	--	(0.29)	--	(0.46)	(0.17)	(0.23)	(0.30)	--	--	(0.12)

*Rounded off approximation

TABLE II. PERFORMANCE RATINGS:

I _H RATED CURRENT	CURRENT RATINGS							TIME TO TRIP	INITIAL RESISTANCE VALUES		ONE-HOUR POST-TRIP RESISTANCE STANDARD TRIP	TRIPPED- STATE POWER DISSIPATION	
	AMPERES AT 0°C		AMPERES AT 20°C		AMPERES AT 60°C				OHMS AT 20°C				OHMS AT 20°C
AMPERES 20°C HOLD	HOLD	TRIP	HOLD	TRIP	HOLD	TRIP	HOLD	TRIP	MIN	MAX	MAX	NOMINAL	
.20	.24	.48	.20	.40	.13	.26			2.2	1.83	2.75	4.40	.41

Recognitions:

UL, CSA and TUV approved.

Reference Documents:

Approved by UL as a current limiting impedance, per the 1996 NEC, Tables 11 (c) and 11 (b).
 PS300

Precedence:

This specification takes precedence over documents referenced herein.

Effectivity:

Reference documents shall be the issue in effect on the date of invitation for bid.

CAUTION:

Operation beyond the rated voltage or current may result in rupture, electrical arcing or flame.